

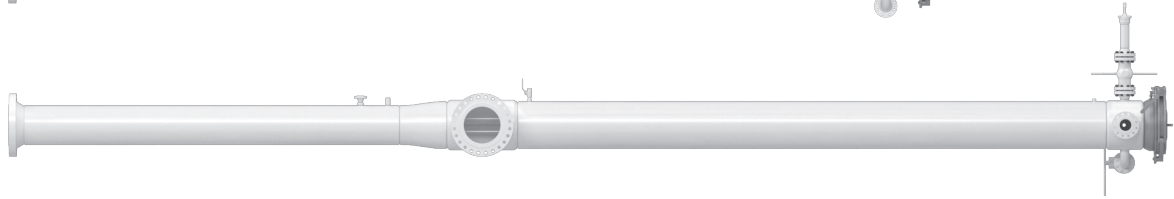
CONTACT	PHONE	DATE
PROJECT NAME		
CUSTOMER	EMAIL	
LOCATION	DESIRED DELIVERY DATE	

// PRODUCT

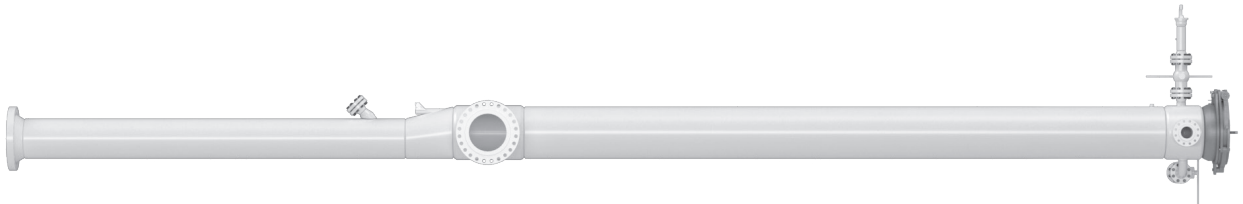
LAUNCHER



RECEIVER



BI-DIRECTIONAL



LAUNCHER ORIENTATION

LEFT RIGHT

RECEIVER ORIENTATION

LEFT RIGHT

BIDIRECTIONAL ORIENTATION

LEFT RIGHT

CLOSURE ORIENTATION

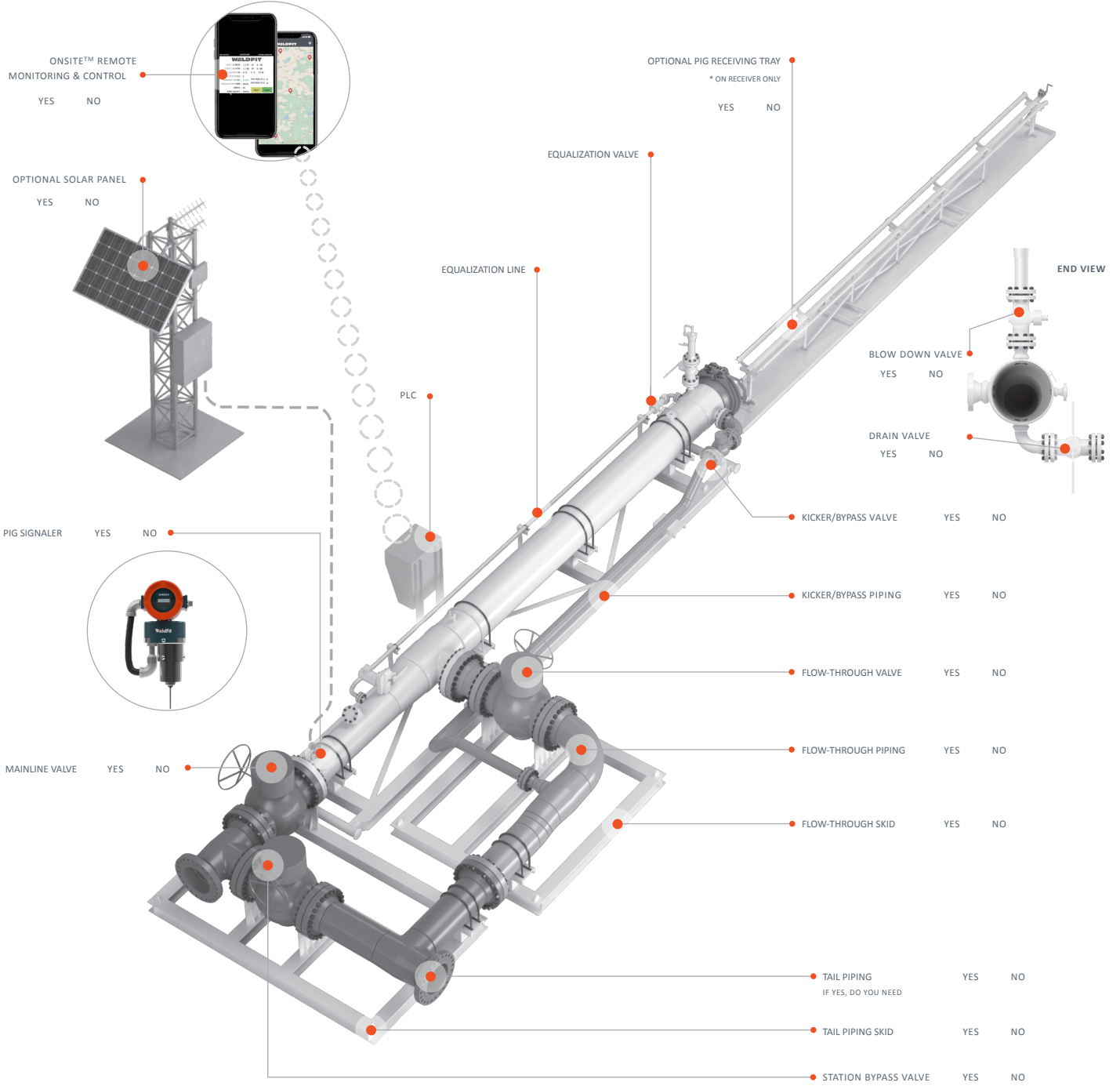
LAUNCHER	LEFT	RIGHT
RECEIVER	LEFT	RIGHT
BI-DIRECTIONAL	LEFT	RIGHT

// SPECIFICATIONS

OUTSIDE DIAMETER - NOMINAL PIPE	IN. MM.			
WALL THICKNESS - NOMINAL PIPE	IN. MM.			
YIELD STRENGTH - NOMINAL PIPE				
DESIGN CODE	B31.3	B31.4	B31.8	OTHER
DESIGN FACTOR	0.72	0.60	0.50	0.40
FLANGE RATING	150	300	600	OTHER
DESIGN PRESSURE		PSI	BAR	OTHER
DESIGN TEMPERAURE	MAX	F /		C
	MIN	F /		C
CORROSION ALLOWANCE	YES	NO	IN.	MM.
SUITABLE FOR SOUR SERVICE/ NACE COMPATIBLE	YES	NO		
HIC TESTING	YES	NO		
PAINT/COATING REQUIREMENTS	PRIME	2 ONLY COATS	3 COATS	OTHER *PROVIDE SPECS
TYPE OF PIGS/SCRAPERS TO LAUNCH				
NUMBER OF PIGS IN CYCLE (Launcher)	STANDARD 7(2D) pigs		EXTENDED 10(2D) pigs up to 20 inch	OTHER
NUMBER OF PIGS IN CYCLE (Reciever)	STANDARD 8(2D) pigs		EXTENDED 11(2D) pigs up to 20 inch	OTHER
TYPE OF CLOSURE NEEDED	SURESEAL (UP To 26 IN.)		OTHER	
HYDRO TESTING REQUIRED	YES	NO	4hrs	8hrs Other

// OPTIONS

SKID MOUNTED	FLOW-THROUGH PIPING	TAIL PIPING	KICKER / BY-PASS PIPING
VALVE PACKAGE	FLOW-THROUGH SKID	TAIL PIPING SKID	



// NOTES