

CONTACT	PHONE	DATE
PROJECT NAME		
CUSTOMER	EMAIL	
LOCATION	DESIRED DELIVERY DATE	

// PRODUCT

LAUNCHER



RECEIVER



BI-DIRECTIONAL



LAUNCHER ORIENTATION

LEFT RIGHT

RECEIVER ORIENTATION

LEFT RIGHT

BIDIRECTIONAL ORIENTATION

LEFT RIGHT

CLOSURE ORIENTATION

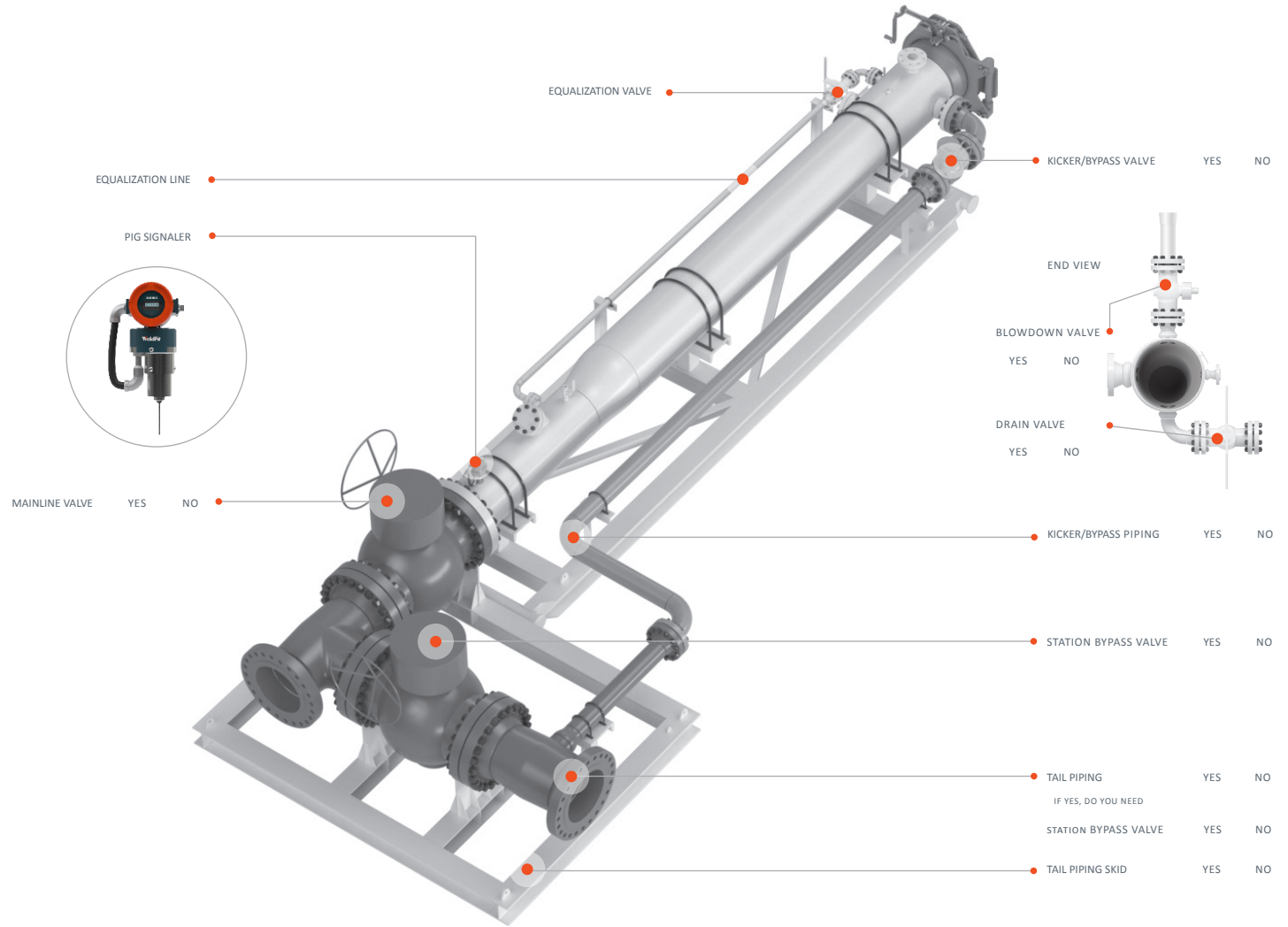
LAUNCHER	LEFT	RIGHT
RECEIVER	LEFT	RIGHT
BI-DIRECTIONAL	LEFT	RIGHT

// SPECIFICATIONS

OUTSIDE DIAMETER - NOMINAL PIPE	IN.	MM.		
WALL THICKNESS - NOMINAL PIPE	IN.	MM.		
YIELD STRENGTH - NOMINAL PIPE				
DESIGN CODE	B31.3	B31.4	B31.8	OTHER
DESIGN FACTOR	0.72	0.60	0.50	0.40
FLANGE RATING	150	300	600	OTHER
DESIGN PRESSURE		PSI	BAR	OTHER
DESIGN TEMPERAURE	MAX	F /	C	
	MIN	F /	C	
CORROSION ALLOWANCE		YES	NO	IN. MM.
SUITABLE FOR SOUR SERVICE / NACE COMPATIBLE	YES		NO	
PAINT/COATING REQUIREMENTS	PRIME ONLY		ONLY 2 COATS	3 COATS OTHER *PROVIDE SPECS
HIC TESTING	YES		NO	
TYPE OF CLOSURE NEEDED	SURESEAL up to 26"		OTHER	
HYDRO TESTING REQUIRED	YES	NO	4hrs	8hrs Other

// OPTIONS

SKID MOUNTED	TAIL PIPING	KICKER / BY-PASS PIPING
VALVE PACKAGE	TAIL PIPING SKID	ILI PULL NOZZLE



// NOTES