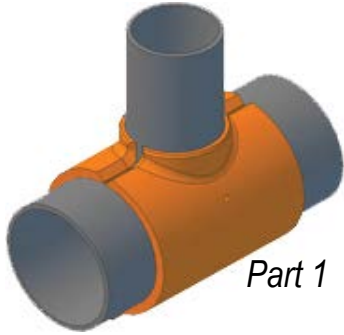
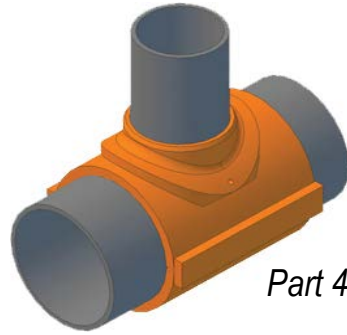


*I. Saddle Parts & Quantities Needed:*



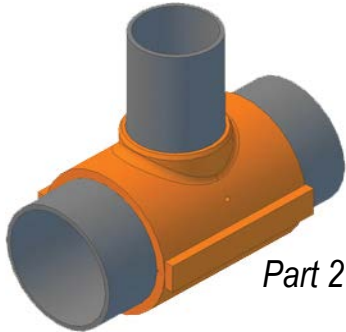
Amounts:

Part 1



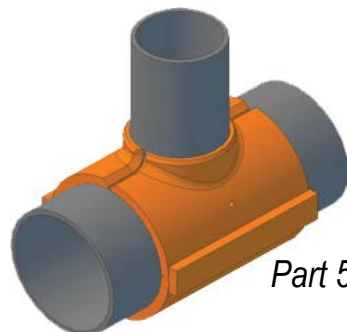
Amounts:

Part 4



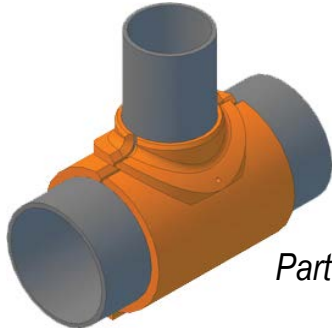
Amounts:

Part 2



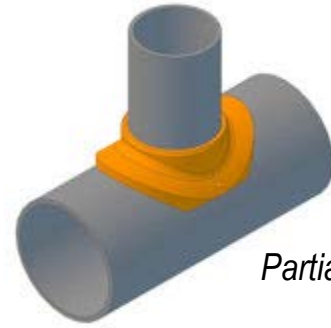
Amounts:

Part 5



Amounts:

Part 3



Amounts:

Partial

Run Thickness: \_\_\_\_\_

Design Required

Customer: _____	Contact: _____	
Location: _____	Telephone: _____	Fax: _____
Date: _____	Email: _____	

**II. EXISTING PIPE INFORMATION**

Header Pipe Size	_____ NPS DN
Header Material (specification and grade)	_____
Wall Thickness	in. _____ mm. _____

**III. FITTING DESIGN INFORMATION**

Fitting Run Material	_____
Fitting Branch Size	_____ NPS DN
Beveled Ends	Yes No

**IV. NOTES/COMMENTS**

\_\_\_\_\_