

I. FITTINGS:

Hot Tap Fitting



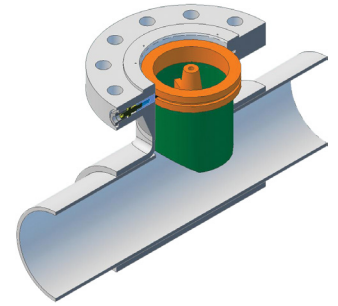
Angled Fitting



Split Tee no Flange



Sureloc™ flange with
Sureloc™ Flow-Through plug



Size of fitting:

Run: _____ Branch: _____ Flange Class: _____

Customer: _____

Contact: _____

Location: _____

Telephone: _____

Fax: _____

Date: _____

Email: _____

II. EXISTING PIPE INFORMATION

Header Size	_____ NPS _____ DN
Header Material (specification and grade)	_____
Wall Thickness	in. _____ mm. _____
Design Code	B31.3 B31.4 B31.8 Other: _____
Design Factor (required for ASME B31.4/8)	0.72 0.60 0.50 0.40 Other: _____
Flange Rating	150 300 600 Other: _____
Design Pressure	_____ psi _____ bar Other: _____
Design Temperature	Max. _____ °F/ _____ °C Min. _____ °F/ _____ °C
Corrosion Allowance	in. _____ mm. _____
Suitable for Sour Service	Yes No

III. FITTING DESIGN INFORMATION

Fitting Run Material	_____
Fitting Run Length	Standard Special: _____ in. _____ mm.
Fitting Branch Size	_____ NPS _____ DN
Fitting Branch Schedule	_____ Special: _____ in. _____ mm.
Fitting Branch Height (From CL of Run)	Standard Special: _____ in. _____ mm.
Fitting Flange Face	Standard (raised face) RTJ Smooth Other: _____
Backing Strips	Yes No
Coating	Standard (primer) Other: _____
Beveled Ends	Yes No

IV. NOTES/COMMENTS