



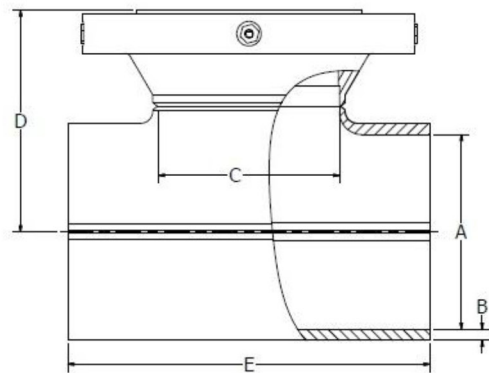
REDUCED BRANCH SURELOC™ FITTING

WeldFit's SureLoc™ fitting is a full branch hot tap fitting with a SureLoc™ line stop flange for use in line stop or temporary by-pass applications.

The SureLoc™ flange and plug allow for retrieval of the hot tapping valve upon completion of line stopping or hot tapping work. Compatible with industry standard line stop equipment and backed by Weldfit's reputation for quality, SureLoc™ fittings have been installed by some of the industry's most demanding customers around the world.

Benefits:

- Comply with the latest editions of ASME B31.4 and B31.8 with a design factor of 0.72
- Maximum Operating Pressure @ 100°F (82°C):
 - Class 150 – 285 psi (20 bar)
 - Class 300 – 740 psi (51 bar)
 - Class 600 – 1480 psi (102 bar)
 - Class 900 – 2220 psi (153 bar)
 - Class 1500 – 3705 psi (255 bar)
- Flange dimensions in accordance with ASME B16.5
- Standard Fitting Material
 - Body – A234 Grade WPB or MSS SP-75 WPHY 46/52/60/65/70
 - Flange – A105 / A694 F46/52/60/65/70
- Available upon request with
 - Different design factors
 - Other design codes
 - Larger sizes
 - Higher pressure ratings
 - Reduced branch outlets



REDUCED BRANCH SURELOC™ FITTING

CLASS 150

Part #	Run Size NPS (DN)	Branch Size NPS (DN)	A in (mm)	B in (mm)	C in (mm)	D in (mm)	E in (mm)	Approx. Wgt. lbs (kg)
67015-0604-XX	6 (150)	4 (100)	6.69 (170)	0.63 (16)	4.03 (102)	7.79 (198)	9.00 (229)	53 (24)
67015-0806-XX	8 (200)	6 (150)	8.69 (221)	0.63 (16)	6.07 (154)	9.35 (237)	13.25 (337)	89 (40)
67015-0804-XX	8 (200)	4 (100)	8.69 (221)	0.63 (16)	4.03 (102)	8.79 (223)	9.00 (229)	63 (29)
67015-1008-XX	10 (250)	8 (200)	10.81 (275)	0.63 (16)	7.98 (203)	11.04 (280)	17.25 (438)	145 (66)
67015-1006-XX	10 (250)	6 (150)	10.81 (275)	0.63 (16)	6.07 (154)	10.41 (264)	13.25 (337)	104 (47)
67015-1210-XX	12 (300)	10 (250)	12.81 (325)	0.63 (16)	10.02 (255)	12.16 (309)	21.50 (546)	206 (94)
67015-1208-XX	12 (300)	8 (200)	12.81 (325)	0.63 (16)	7.98 (203)	12.04 (306)	17.25 (438)	162 (74)
67015-1412-XX	14 (350)	12 (300)	14.12 (359)	0.63 (16)	12.00 (305)	13.45 (342)	25.50 (648)	318 (145)
67015-1410-XX	14 (350)	10 (250)	14.12 (359)	0.63 (16)	10.02 (255)	12.82 (326)	21.50 (546)	219 (99)
67015-1614-XX	16 (400)	14 (350)	16.12 (410)	0.63 (16)	13.25 (337)	15.25 (387)	28.00 (711)	355 (161)
67015-1612-XX	16 (400)	12 (300)	16.12 (410)	0.63 (16)	12.00 (305)	14.44 (367)	25.50 (648)	320 (145)
67015-2016-XX	20 (500)	16 (400)	20.12 (511)	0.75 (19)	15.25 (387)	17.63 (448)	32.00 (813)	552 (250)
67015-2014-XX	20 (500)	14 (350)	20.12 (511)	0.75 (19)	13.25 (337)	17.38 (441)	28.00 (711)	477 (217)
67015-2420-XX	24 (600)	20 (500)	24.12 (613)	0.75 (19)	19.25 (489)	20.62 (524)	40.00 (1016)	808 (367)
67015-2416-XX	24 (600)	16 (400)	24.12 (613)	0.75 (19)	15.25 (387)	19.63 (499)	32.00 (813)	637 (290)

CLASS 300

Part #	Run Size NPS (DN)	Branch Size NPS (DN)	A in (mm)	B in (mm)	C in (mm)	D in (mm)	E in (mm)	Approx. Wgt. lbs (kg)
67030-0604-XX	6 (150)	4 (100)	6.69 (170)	0.63 (16)	4.03 (102)	8.16 (207)	9.00 (229)	60 (27)
67030-0806-XX	8 (200)	6 (150)	8.69 (221)	0.63 (16)	6.07 (154)	9.73 (247)	13.25 (337)	108 (49)
67030-0804-XX	8 (200)	4 (100)	8.69 (221)	0.63 (16)	4.03 (102)	9.16 (233)	9.00 (229)	70 (32)
67030-1008-XX	10 (250)	8 (200)	10.81 (275)	0.63 (16)	7.98 (203)	11.42 (290)	17.25 (438)	170 (77)
67030-1006-XX	10 (250)	6 (150)	10.81 (275)	0.63 (16)	6.07 (154)	10.79 (274)	13.25 (337)	123 (56)
67030-1210-XX	12 (300)	10 (250)	12.81 (325)	0.63 (16)	10.02 (255)	12.79 (325)	21.50 (546)	248 (113)
67030-1208-XX	12 (300)	8 (200)	12.81 (325)	0.63 (16)	7.98 (203)	12.42 (316)	17.25 (438)	189 (86)
67030-1412-XX	14 (350)	12 (300)	14.12 (359)	0.63 (16)	12.00 (305)	14.08 (358)	25.50 (648)	360 (164)
67030-1410-XX	14 (350)	10 (250)	14.12 (359)	0.63 (16)	10.02 (255)	13.45 (342)	21.50 (546)	263 (120)
67030-1614-XX	16 (400)	14 (350)	16.12 (410)	0.63 (16)	13.25 (337)	15.88 (403)	28.00 (711)	447 (203)
67030-1612-XX	16 (400)	12 (300)	16.12 (410)	0.63 (16)	12.00 (305)	15.19 (386)	25.50 (648)	362 (165)
67030-2016-XX	20 (500)	16 (400)	20.12 (511)	0.75 (19)	15.25 (387)	18.38 (467)	32.00 (813)	662 (301)
67030-2014-XX	20 (500)	14 (350)	20.12 (511)	0.75 (19)	13.25 (337)	18.00 (457)	28.00 (711)	569 (259)
67030-2420-XX	24 (600)	20 (500)	24.12 (613)	0.75 (19)	19.25 (489)	21.31 (541)	40.00 (1016)	1011 (460)
67030-2416-XX	24 (600)	16 (400)	24.12 (613)	0.75 (19)	15.25 (387)	20.38 (518)	32.00 (813)	747 (340)

REDUCED BRANCH SURELOC™ FITTING

CLASS 600

Part #	Run Size NPS (DN)	Branch Size NPS (DN)	A in (mm)	B in (mm)	C in (mm)	D in (mm)	E in (mm)	Approx. Wgt. lbs (kg)
67060-0604-XX	6 (150)	4 (100)	6.69 (170)	0.63 (16)	4.03 (102)	9.04 (230)	9.00 (229)	76 (35)
67060-0806-XX	8 (200)	6 (150)	8.69 (221)	0.63 (16)	6.07 (154)	10.72 (272)	13.25 (337)	144 (65)
67060-0804-XX	8 (200)	4 (100)	8.69 (221)	0.63 (16)	4.03 (102)	10.03 (255)	9.00 (229)	86 (39)
67060-1008-XX	10 (250)	8 (200)	10.81 (275)	0.63 (16)	7.98 (203)	12.53 (318)	17.25 (438)	221 (100)
67060-1006-XX	10 (250)	6 (150)	10.81 (275)	0.63 (16)	6.07 (154)	11.79 (299)	13.25 (337)	159 (72)
67060-1210-XX	12 (300)	10 (250)	12.81 (325)	0.63 (16)	10.02 (255)	14.41 (366)	21.50 (546)	338 (154)
67060-1208-XX	12 (300)	8 (200)	12.81 (325)	0.63 (16)	7.98 (203)	13.53 (344)	17.25 (438)	240 (109)
67060-1412-XX	14 (350)	12 (300)	14.12 (359)	0.75 (19)	12.00 (305)	15.44 (392)	25.50 (648)	456 (207)
67060-1410-XX	14 (350)	10 (250)	14.12 (359)	0.75 (19)	10.02 (255)	15.19 (386)	21.50 (546)	386 (175)
67060-1614-XX	16 (400)	14 (350)	16.12 (410)	0.75 (19)	13.25 (337)	17.03 (433)	28.00 (711)	635 (289)
67060-1612-XX	16 (400)	12 (300)	16.12 (410)	0.75 (19)	12.00 (305)	16.44 (418)	25.50 (648)	489 (222)
67060-2016-XX	20 (500)	16 (400)	20.12 (511)	1.00 (25)	15.25 (387)	20.13 (511)	32.00 (813)	1029 (468)
67060-2014-XX	20 (500)	14 (350)	20.12 (511)	1.00 (25)	13.25 (337)	19.28 (490)	28.00 (711)	831 (378)
67060-2420-XX	24 (600)	20 (500)	24.12 (613)	1.25 (32)	19.00 (483)	23.09 (586)	40.00 (1016)	1716 (780)
67060-2416-XX	24 (600)	16 (400)	24.12 (613)	1.25 (32)	15.25 (387)	22.38 (568)	32.00 (813)	1309 (595)

Dimensions Subject to Change Without Notice



4133 Southerland _ Houston, Texas 77092
 p: 713.460.3700 _ f: 713.939.1808
www.weldfit.com